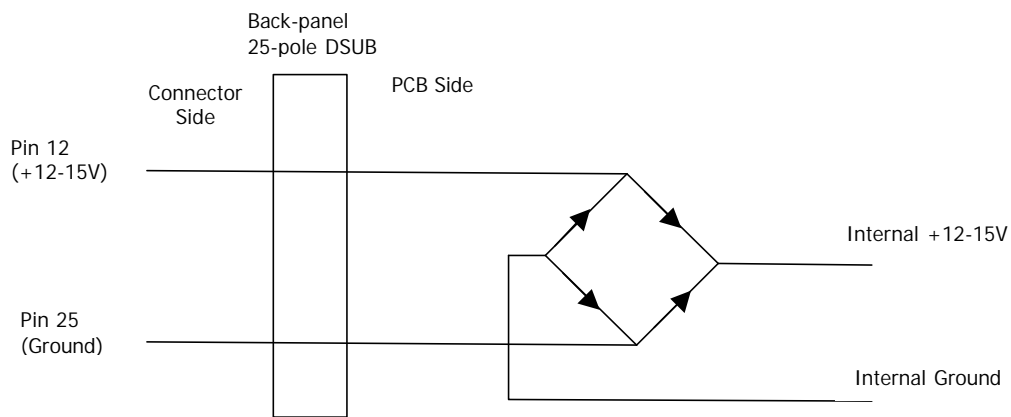


Eliminating Power Ground loop problems for the MSD200SA.

The MSD200SA have been designed with a bridge-rectifier over the Power supply Input, pin 12 & 25 on the DSUB back-panel connector. This means that it is possible to swoop the polarity of these input pins. This configuration has however the drawback that Power Ground Loop problems in rare situations can be a problem.

To eliminate any such Ground Loop problems it is possible to use a dedicated Ground pin(pin 10) on the DSUB connector. (This pin is in the pin-out description found in the manual described as ground for the RS232 communication port).

Normal Configuration: (Pin 12 & 25 can be swooped)



Modified Configuration: (Pin 12 & 25 Must be used as described)

